

TDS

TECHNICAL DRAWING SERVICES

COMPANY PORTFOLIO

info@drawingservices.co.za

www.drawingservices.co.za

Cell: 083 783 6311

Fax: 086 549 2685



TECHNICAL DRAWING SERVICES

COMPANY PORTFOLIO

TABLE OF CONTENTS

Why Outsource

Services

3d Modeling & Assembly

Piping Drawings

S.H.E.Q. Drawings

Sketch to CAD

House Plans

Drawing Registers

Other Drawings





WHY OUTSOURCE

Whether you are a company requiring a freelance draughtsman or an individual needing plans drawn, drawing services can meet your needs with a professional service and produce a quality product.

We here at Technical Drawing Services operate with honesty and we provide a service with which you will be happy with.

We provide Computer Aided Design Services with local and national companies throughout South Africa which have a need for Technical Design and Draughting Services in traditional 2D or 3D modeling & assembly drawings.

We are dedicated to delivering the highest standard of service and take pride in everything we do, we adopt an over committed attitude to meeting our clients deadlines and needs.

- You do not need to employ a Permanent Draughtsperson to get your drawings done.
- It is a cost-effective way, which more companies are heading towards.
- You save; because compared with the big companies, our overheads are low. We don't have large, impressive offices and loads of employees to pay.
- It is low-risk. You don't have to hire us for long term projects.
- Try us out on a small project first.
- It is flexible.
- You only pay for our services when you need them.



SOUTH AFRICAN
COUNCIL
for the
ARCHITECTURAL
PROFESSION

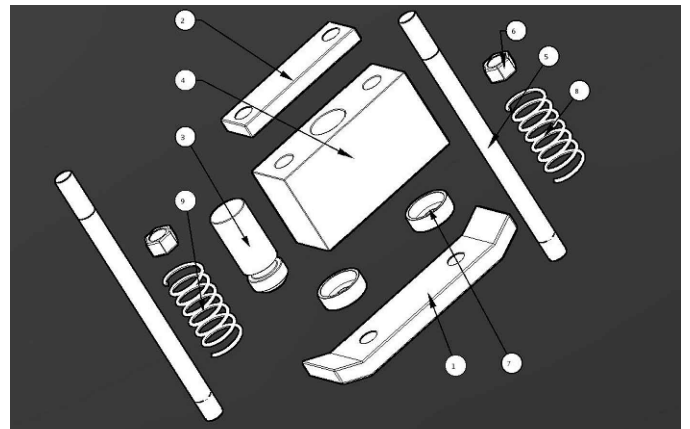
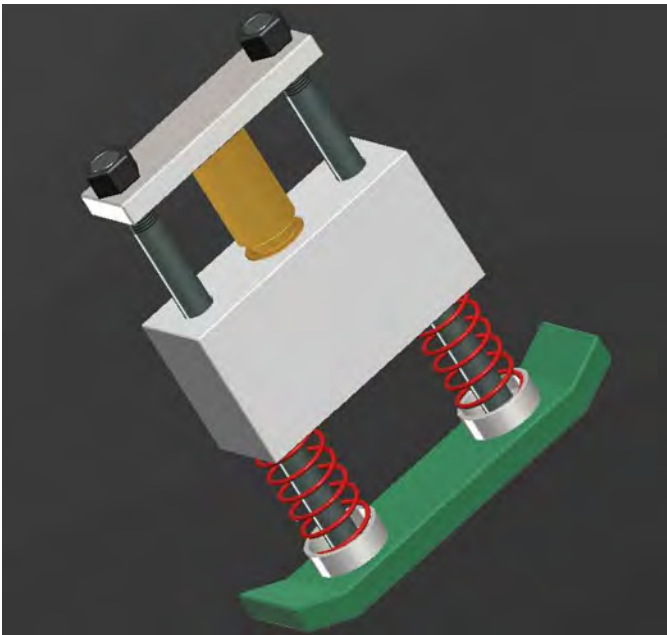




3D MODELING AND ASSEMBLY

Services Rendered

- Detailed Technical or Mechanical parts and components
- 3D isometric drawings
- Flat-pack assembly Drawings
- Step by Step Machine instructional assembly manuals
- Animated video clips of assemblies
- Installation and Clash Detection drawings
- Fabrication drawings



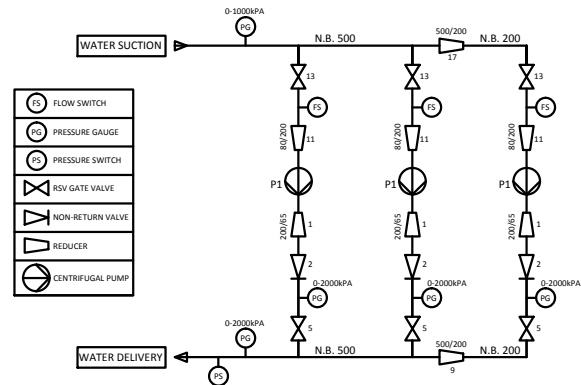
Companies we service:

WonderMed
Minetec
BSN Medical
Mistry's
Mthiyane Engineering

PIPING DRAWINGS

Services Rendered

- Pipe Flow Diagrams (P&ID's)
- 3D isometric drawings
- Piping routes
- Modification of existing drawings
- Site measurements
- Piping as-builts
- Plumbing Layout and details
- Sections, Elevations and Plan layouts



Companies we service:

ABI: Coca-Cola
 Hidrotech
 API Pumps
 BSN Medical

S.H.E.Q. DRAWINGS

Integrated Safety, Health & Environmental drawings

To improve the occupational risk management performance in companies.

- To NOSA specification for their audit process.
- A chance to get a 5 star rating.
- Updating of Factory Site Plans,
- Floor plans or as-builts with varying levels of details

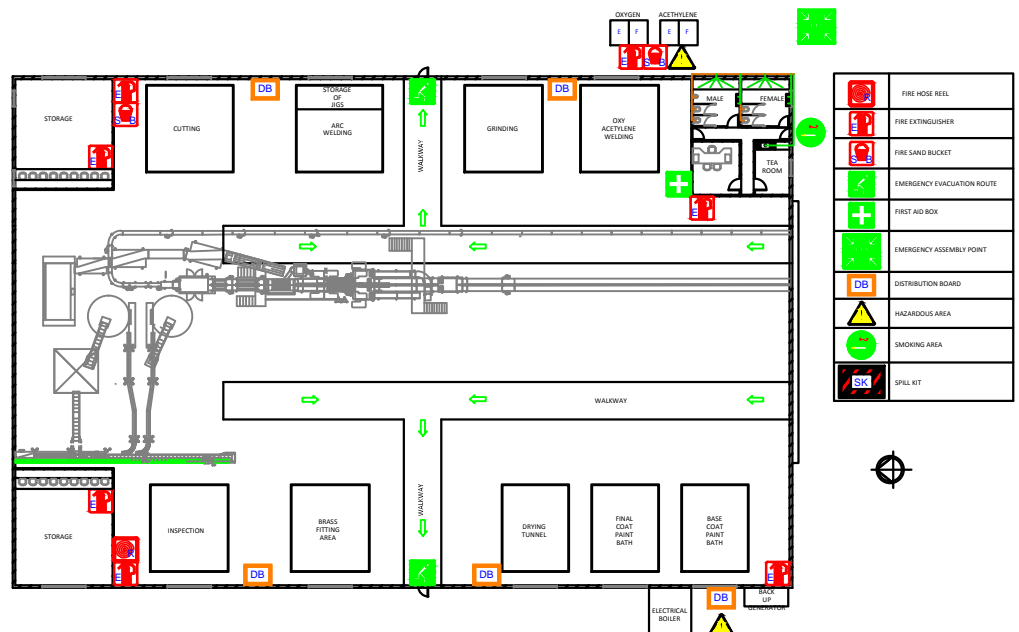
An environmental drawing will be a detailed drawing showing the

- Sewage layout,
- Effluent layout,
- Main water reticulation,
- Main electrical layout,
- Storm water reticulation,

Specific symbols will be shown including:

- Fire,
- Safety,
- Electrical,
- Waste,
- Hazardous areas
- Drainage

We have a wide variety of symbols & signs to meet the needs of individual plants. New signs are easily implemented.



Companies we service:

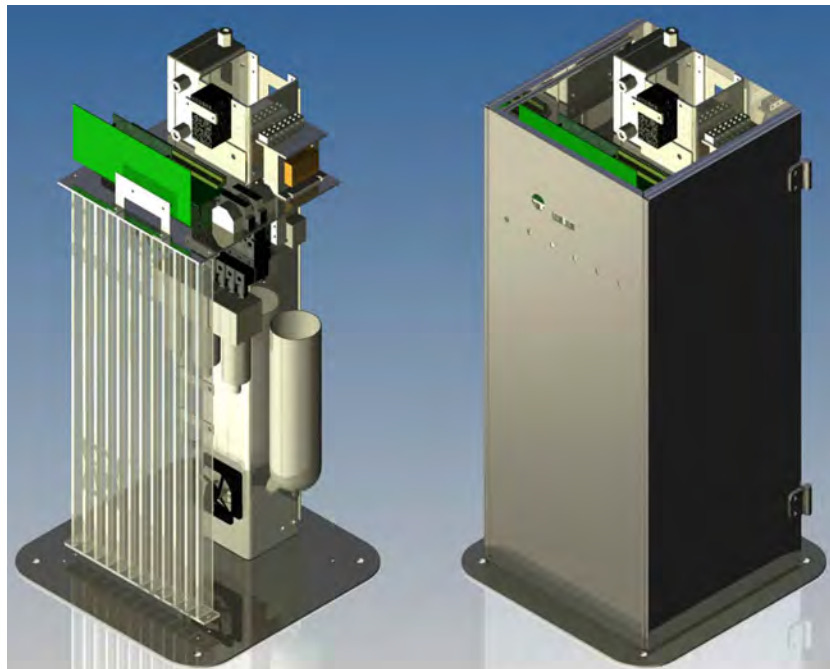
ABI: Coca-Cola
 Shanduka: Coca-Cola
 Johnson Matthey
 BSN Medical
 Bevcan



SKETCH TO CAD

Services Rendered are:

- All of your hand sketched paper drawings, drawn professionally into CAD for quoting, filing or sending out to manufacture.
- Drawings can be done in AutoCAD, Revit, Inventor or converted into your format of choice.
- Flexibility of fixed price per sheet or hourly cost
- Turnaround as quick as overnight
- Guaranteed dimensional accuracy
- Drawings done by Certified professionals with AutoDesk Products.



Companies we service:

ABI: Coca-Cola
Com-Struct
Zantech
Crescent Moulds
Pal Fridge



HOUSE PLANS

Services Rendered are:

Detailed architectural drawings to municipality specifications
by a Registered Professional Architectural Draughtsman
"SACAP D2031" – Durban Submissions

- 3D Rendered house plan.
- House Plans drawn according to Regulation
- Interior Design drawings.
- As built drawings.
- Shop fitting installation drawings.
- Plumbing layout drawings.



Companies we service:

Royal Eagles Construction
Atlas Scrap
Various home owners





DRAWING REGISTERS

Services Rendered

If your drawings have got into a mess or you have taken over someone else's and you can't find your drawings fast enough or not sure what drawings you own?

We can help you by:

- Creating your own personal drawing register in excel
- Compiling all the drawings to the register
- Renaming the Drawings to suit register
- Compiling all of your drawings into separate folders
- All to your preferences and needs

Companies we service:

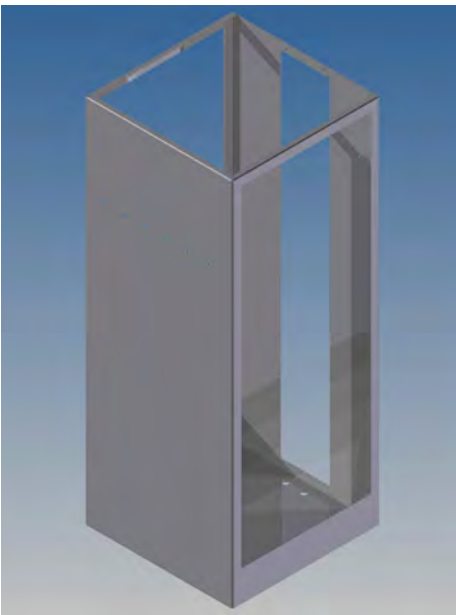
ABI: Coca-Cola
Johnson Matthey



OTHER DRAWINGS

Other Drawing Services we offer:

- Sheet Metal Drawings,
- GSM - Mobile Network Towers
- Mechanical/Electrical Drawings
- HVAC Layouts
- Post Stressing In Bridges
- Manufacturing Drawings
- Sign Boards



Companies we service:

Amsteele
NCC
McRitchie D,D & C
Airduct
Com-Struct
Plessey
Dejay
Atlas Scrap